



Barcode: 5060452080215

# tuffstor cabinet™

Product code: TSC2

- » Ultra-tough cabinet designed to keep tools and equipment secure.
- » Adjustable shelves keep equipment organised and accessible.
- » Designed with the advantage of using less floor space.



## Product features



2x 5-lever deadlock



Forklift skids



Suitable for site

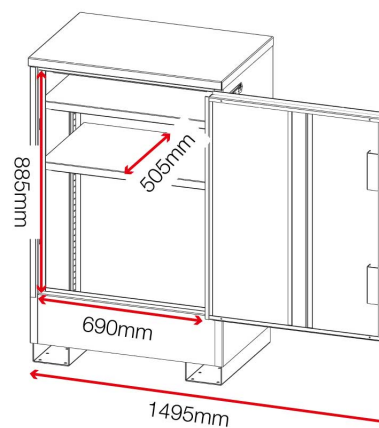
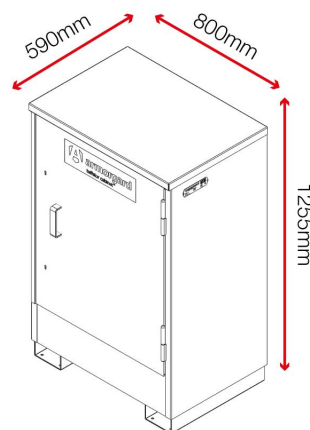


Built in handles

## Product specifications

Weight	74kg
Colour	Black grey: RAL 7021
Suitable for	Site
Finished coating	Powder coated
Material & thickness	1.6mm and 2mm steel
Quantity of keys	2 keys
Suitable for vehicle mounting	Yes
How are castors fitted?	Quick-fix bolt on castor kit
Other sizes available	4 other sizes
Qty of shelves as standard	2

## Dimensions



## Optional extras - Contact Armorgard to find out more



Fittings bins FCB



Image coming soon