



Barcode: 5060452080291

strimmersafe™ rack

Product code: SSR6

- » Organised storage for strimmers, hedge cutters, and chain saws.
- » Highly secure unit helps protect costly equipment.
- » Bundled drip tray to contain any accidental spills.



Product features



2x 5-lever
deadlock



Gas strut short
(300N)

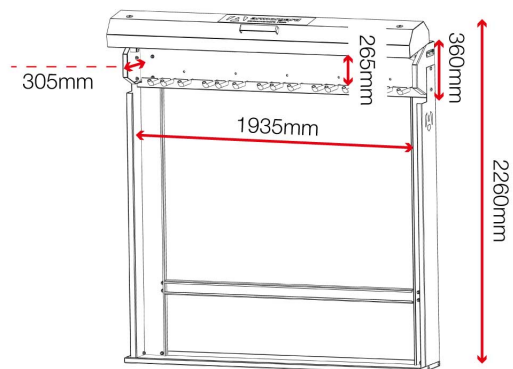
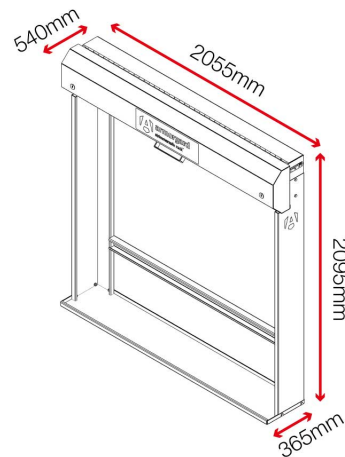


Built in handles

Product specifications

Weight	93kg
Colour	Black grey: RAL 7021
Suitable for	Workshop
Finished coating	Powder coated
Material & thickness	2mm and 3mm steel
Quantity of keys	3 keys
Suitable for vehicle mounting	No
How are castors fitted?	Not applicable
Other sizes available	No
Qty of shelves as standard	No

Dimensions



Related products - Contact Armorgard to find out more



StrimmerSafe Vault SSV12



StrimmerSafe Vault SSVX6



StrimmerSafe Vault SSV6