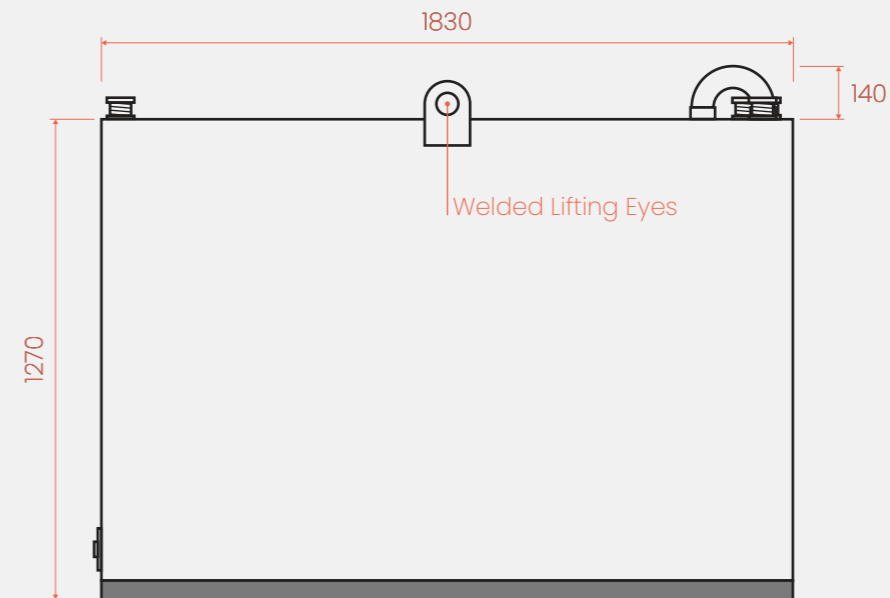
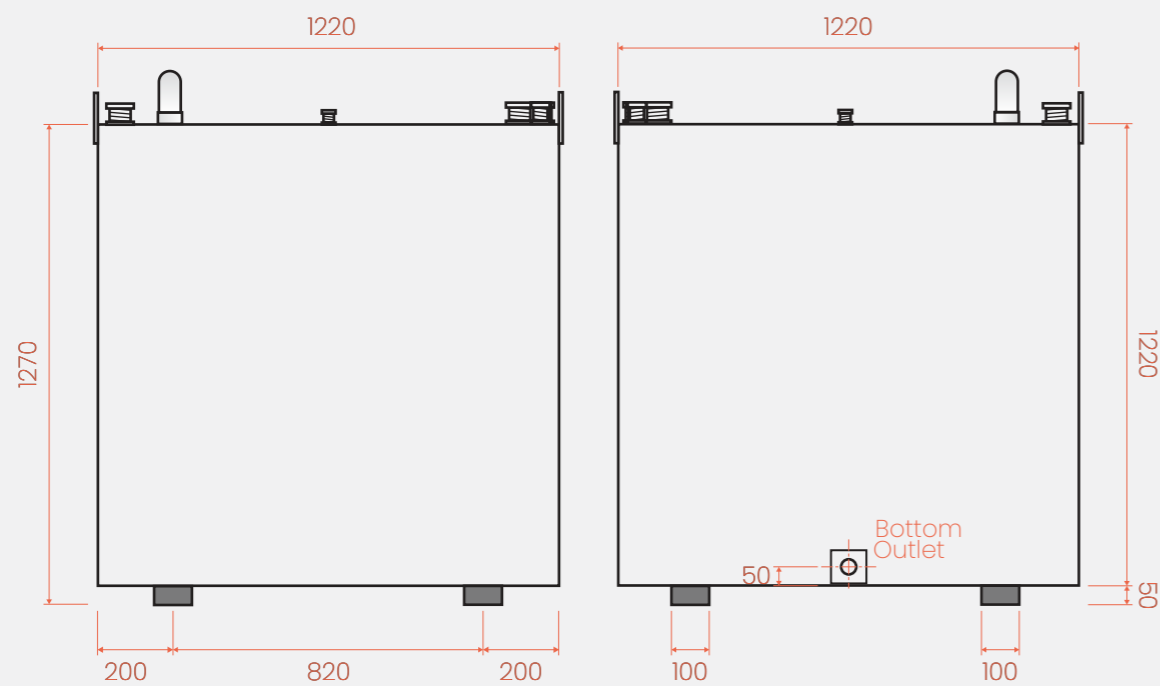


**Top**

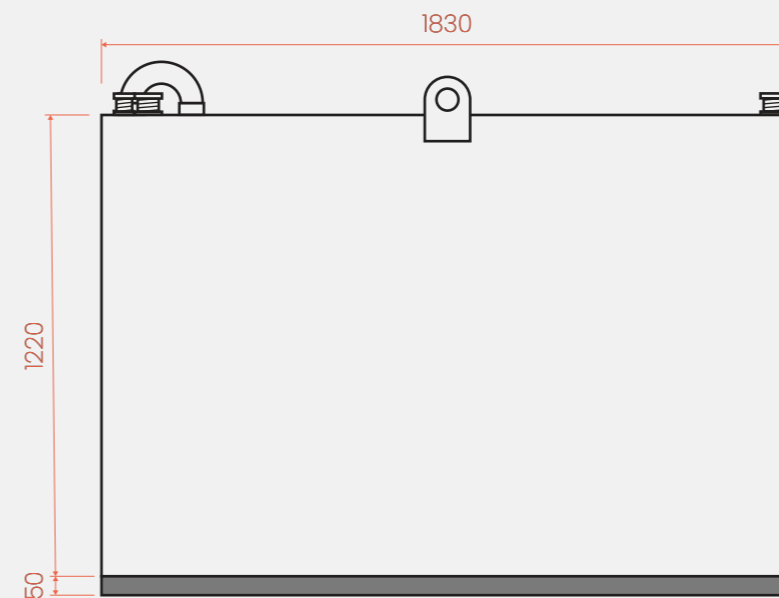


**Right**



**Back**

**Front**



**Left**

©Atlantis Tanks Group Ltd. 2019



Title  
**2250 Litre Bunded Tank  
 Plan and Elevations**

Scale  
**1:20**  
 Drawing N°  
**BUS.2250.01**

Revisions  
 A - Annotation amended - 21/10/19  
 B - Annotation and Layout amended -  
 19/04/21