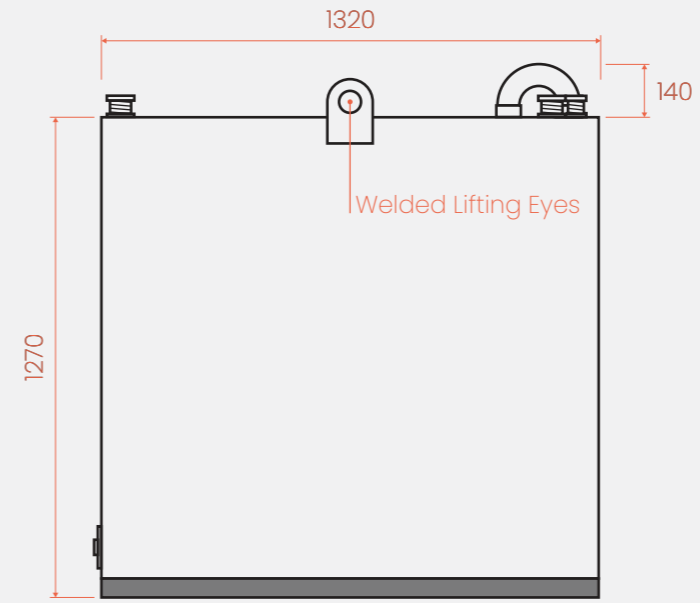
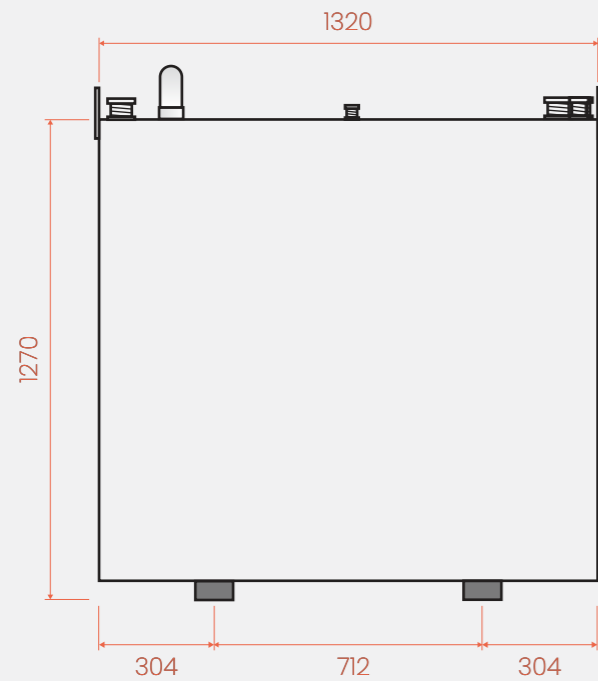


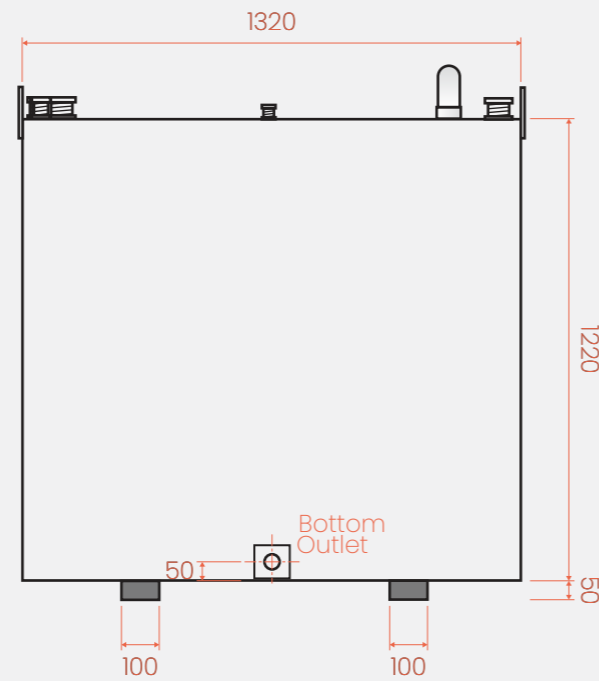
Top



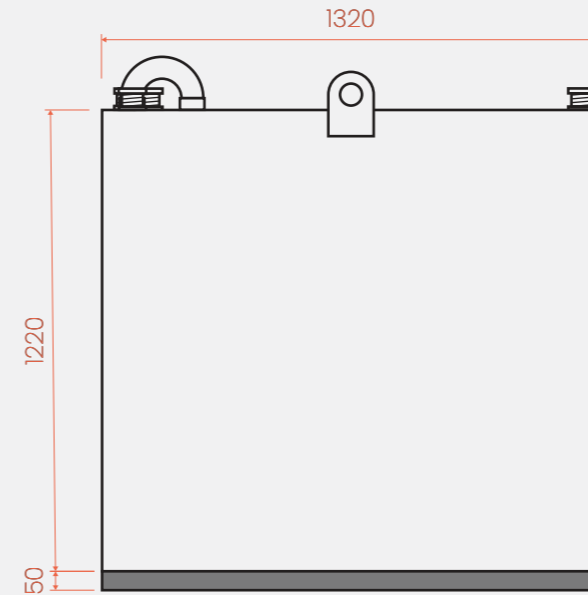
Right



Back



Front



Left

©Atlantis Tanks Group Ltd. 2019



Title
**1800 Litre Bunded Tank
 Plan and Elevations**

Scale
1:20

Drawing N°
BUS.1800.01

Revisions
 A - Annotation amended - 21/10/19
 B - Annotation and Layout amended - 19/04/21